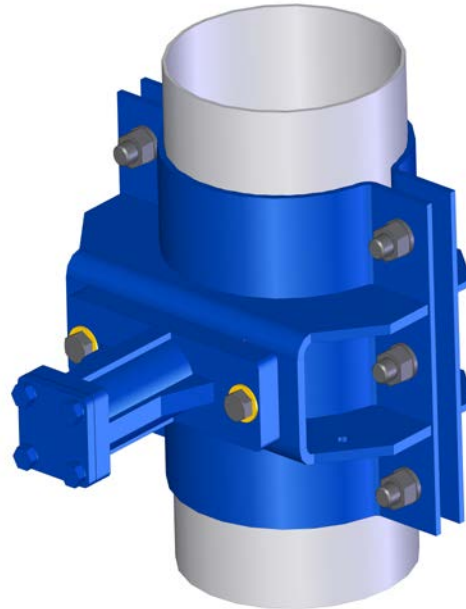


Saddle Mount Vibrator

The NAVCO Saddle Mount vibrator (for pipes and chutes) was developed in the late 1980's to assist an oil and gas customer in transporting wet drill tailings. This proven, field-tested solution continues to add value to bulk material processes from freeing coal chutes in power plants to assisting in the Fukushima Daiichi nuclear clean-up.



The bolt-on saddle mount is designed for ease of installation. The saddle mount optimizes vibration energy transmission while protecting the pipe integrity. Each saddle mount is tailored for the application. NAVCO's technology and experience are used to assure the right size and type of vibrator for the application.



Features Include:

- Bracket construction provides reinforcement of the pipe to maximize the vibrators area of influence and impact vibration
- Maximum surface area contact transmits the vibration energy through the pipe and into the material
- Bolted assembly allows for relocation of vibrator to meet changing flow restrictions
- NAVCO specifies the correct vibrator size and type for optimal results
- Bolt-on, no welding required
- Safety chain/cable included
- Made in the USA