

Ball Vibrator

High Frequency Vibration for Densification and Material Flow

NAVCO Ball Vibrators are pneumatically driven rotary vibrators engineered to keep your material flowing no matter where it's housed. Whether it's material sticking, bridging or rat holing, NAVCO Ball Vibrators break up the log jam and Get Your Material Moving.

Time Tested Industrial Ball Vibrators, Made in the USA

Made in the USA. NAVCO's pneumatic Ball Vibrators work daily to keep material flowing and processes going all across the US and the world.

Supporting Multiple Industries

Construction, Concrete, Chemical, Agriculture, Pharmaceutical, Mining, Food Processing, and many more.

Pneumatic (Air) Power to Fit Your Work Flow

Pneumatically driven Ball Vibrators are easily incorporated into existing industrial processes.

Non-Impacting, High Frequency Low Amplitude Vibration

Ball Vibrators operate by using compressed air to drive a bearing grade steel ball around a hardened raceway ring within the vibrator, creating a non-impacting high frequency, low amplitude vibration.



Improved Concrete Molds and Forms

Ball Vibrator's high frequency vibration helps to release entrapped air and settle concrete. This ensures an even density and smooth finish in the final product.

Improve Material Flow

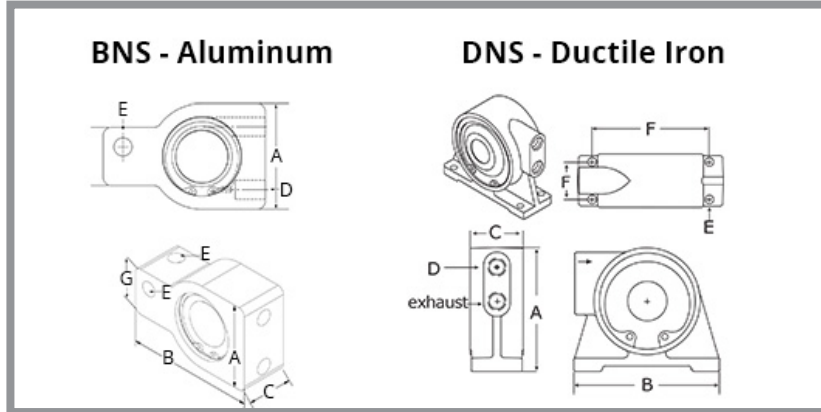
Ball Vibrators have been utilized on all the most common containers used in industry, including Silos, Hoppers, Bins, Bunkers, Chutes, Pipes, Vessels and International Bulk Containers (IBC).

Multiple Types and Sizes to Fit Your Application

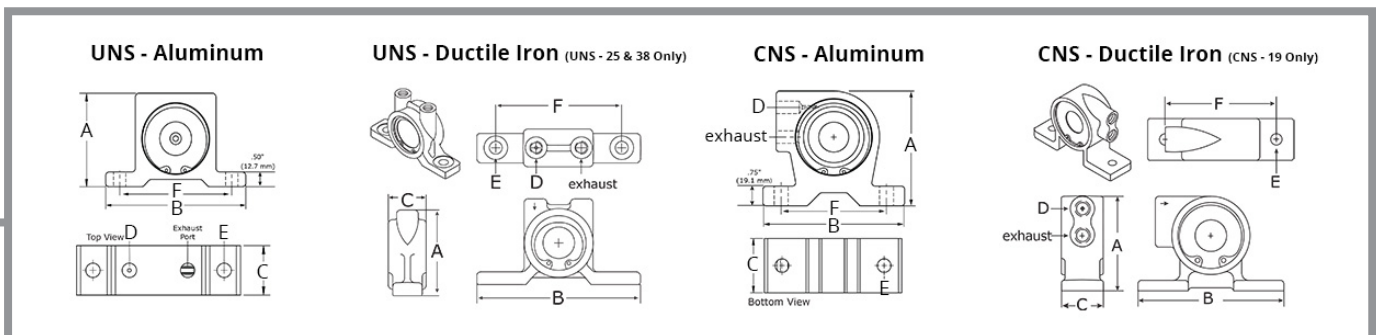
NAVCO BALL Vibrators are available in 4 models in multiple sizes:

- BNS - single bolt mount inlet and exhaust ports on one end
- DNS - four bolt mount - inlet and exhaust ports on side of unit – air travels in a "C" shape.
- CNS - two bolt mount - inlet and exhaust ports on side of unit – air travels in a "C" shape.
- UNS - two bolt mount- inlet and exhaust ports on top of unit – air travels in a "U" shape.

Dimensions



Model	A	B	C	D (NPT)	E	F	G	Weight lb
	in	in	in	in	in	in	in	
BNS - 10	2.0	3.1	1.1	1/8	11/32	Single Bolt	1.1	0.5
BNS - 13	2.0	3.1	1.1	1/8	11/32		1.1	0.5
BNS - 16	2.6	4.0	1.3	1/4	7/16		1.4	1.0
BNS - 19	3.1	4.4	1.5	1/4	7/16		1.5	1.5
BNS - 25	3.8	5.3	1.8	1/4	7/16		1.7	2.6
DNS - 41	5.7	6.8	2.5	1/2	2/5	5.50 x 1.75	N/A	10.5
DNS - 51	5.7	6.8	2.5	1/2	2/5	5.50 x 1.75		11.0
CNS - 19	3.4	5.3	1.5	1/4	7/16	4.00		2.4
CNS - 25	4.4	5.4	2.1	1/4	17/32	4.00		3.3
CNS - 35	4.4	5.4	2.1	1/4	17/32	4.00		3.5
UNS - 13	2.6	5.0	1.2	1/8	11/32	4.00		0.8
UNS - 19	3.2	5.0	1.5	1/4	7/16	4.00		1.4
UNS - 25	3.9	6.5	1.8	1/4	7/16	5.00		3.5
UNS - 38	5.2	7.8	2.3	3/8	7/16	6.00		8.0



Specifications

Model	Unbalance	PSI Required		20 PSI			40 PSI			60 PSI			80 PSI		
	lb-in	Vertical	Horizontal	Speed RPM	Flow SCFM	Force lb	Speed RPM	Flow SCFM	Force lb	Speed RPM	Flow SCFM	Force lb	Speed RPM	Flow SCFM	Force lb
BNS - 10	0.004	5	2	16,000	4.3	25	20,000	7.0	40	22,000	9.0	48	22,800	10.8	52
BNS - 13	0.01	5	2	11,400	4.3	26	19,200	7.0	73	22,800	9.0	103	24,900	10.8	123
BNS - 16	0.02	15	7	9,400	4.1	50	13,000	6.4	93	14,000	8.2	110	14,800	10.0	138
BNS - 19	0.04	20	10	8,600	5.5	89	11,000	8.4	150	13,000	11.0	200	14,800	13.7	269
BNS - 25	0.12	30	15	5,700	7.5	110	6,900	12.0	160	8,200	16.0	230	9,600	19.8	322
UNS - 13	0.12	5	2	13,000	6.5	45	18,000	11.0	84	20,000	15.0	110	22,400	19.0	134
UNS - 19	0.24	20	10	8,700	5.5	92	11,000	8.4	160	13,000	12.0	210	15,000	16.0	276
UNS - 25	0.82	30	15	6,300	7.0	140	8,400	12.0	240	9,100	16.0	280	9,600	20.0	322
UNS - 38	1.3	50	25	4,300	12.0	270	5,600	19.0	470	6,000	25.0	540	6,200	31.0	572
CNS - 19	0.12	20	10	9,100	5.7	100	12,000	8.4	170	14,000	12.0	220	17,000	15.7	355
CNS - 25	0.52	30	15	6,300	7.8	130	8,100	13.0	220	9,200	18.0	290	10,000	22.3	349
CNS - 35	0.043	50	25	5,300	7.8	190	6,700	13.0	310	7,600	16.0	390	8,100	19.0	447
DNS - 41	0.009	55	25	3,200	13.0	240	4,000	21.0	270	4,400	27.0	450	4,900	33.7	555
DNS - 51	0.043	60	30	3,100	13.0	350	4,000	20.0	580	4,300	27.0	680	4,600	33.7	781

CONTACT US TODAY AT

E. SALES@NAVCO.US W. NAVCO.US A. 11929 Brittmoore Park Dr.
P. 832.467.3636 F. 832.467.3800 Houston, TX 77041