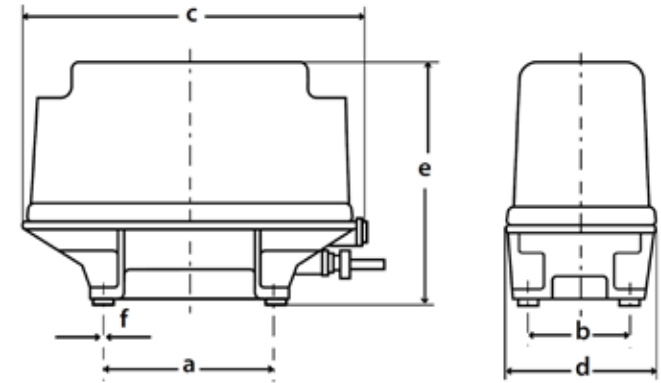


Electromagnetic Vibrator Specs & Dimensions

30 Hz Models



Model #	Mains Voltage	Working Weight Range (kg)		Vibration Amplitude (mm)		Transport Velocity (cm/s)		Rated Current (A)	Active Power (W)	PAL (+/-)	Weight (kg)	Dimensions (mm)						
		From	To	From	To	From	To					a	b	c	d	e	Øf	Screws
MVC30-4	220-240	15	40	3.25	1.90	22	9	4.8	40	-	40	210	125	420	180	280	11.5	M10
	440-480	15	40	3.25	1.90	22	9	2.4	40	-	40	210	125	420	180	280	11.5	M10
MVD30-3	220-240	36	70	3.05	2.00	20	10	8.0	50	-	64	210	125	450	220	335	11.5	M10
	380-420	36	70	3.05	2.00	20	10	6.0	50	-	64	210	125	450	220	335	11.5	M10
	440-480	36	70	3.05	2.00	20	10	4.4	50	-	64	210	125	450	220	335	11.5	M10
MVE30-3	220-240	55	120	3.55	2.15	25	11	14.0	100	-	124	300	190	485	255	425	18.0	M16
	380-420	55	120	3.55	2.15	25	11	8.0	100	-	124	300	190	485	255	425	18.0	M16
	440-480	55	120	3.55	2.15	25	11	7.0	100	-	124	300	190	485	255	425	18.0	M16
MVF30-4	220-240	180	600	3.05	1.20	20	4	18.0	250	-	250	350	240	640	340	545	22.0	M20
	440-480	180	600	3.05	1.20	20	4	13.5	250	-	250	350	240	640	340	545	22.0	M20

CONTACT US TODAY AT

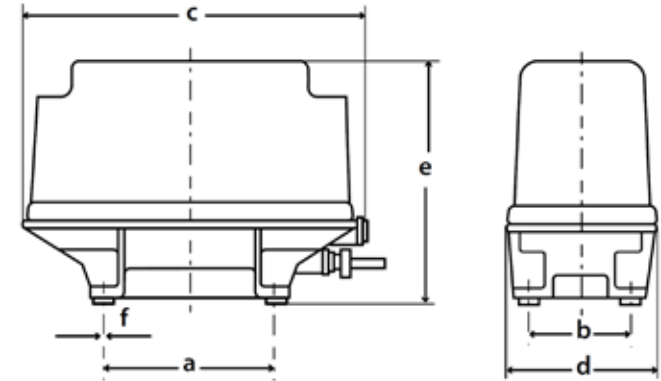
E. SALES@NAVCO.US W. NAVCO.US

P. 832.467.3636

F. 832.467.3800

A. 11929 Brittmoore Park Dr.
Houston, TX 77041

40 Hz Models



Model #	Mains Voltage	Working Weight Range (kg)		Vibration Amplitude (mm)		Transport Velocity (cm/s)		Rated Current (A)	Active Power (W)	PAL (+/-)	Weight (kg)	Dimensions (mm)						
		From	To	From	To	From	To					a	b	c	d	e	Øf	Screws
MVES40-1	380-420	100	450	2.40	0.75	22	3	12.7	150	-	125	125	300	190	540	255	18.0	M16
	440-480	100	450	2.40	0.75	22	3	10.0	150	-	125	125	300	190	540	255	18.0	M16
MVES40-1P	380-420	100	450	2.65	0.80	24	3	12.7	150	+	125	125	300	190	540	255	18.0	M16
	440-480	100	450	2.65	0.80	24	3	10.0	150	+	125	125	300	190	540	255	18.0	M16
MVFS40-1	380-420	250	700	1.90	0.85	16	4	15.5	250	-	250	250	350	240	640	340	22.0	M20
	440-480	250	700	1.90	0.85	16	4	13.5	250	-	250	250	350	240	640	340	22.0	M20
MVFS40-1P	380-420	290	700	2.00	1.00	18	5	15.5	250	+	250	250	350	240	640	340	22.0	M20
	440-480	290	700	2.00	1.00	18	5	13.5	250	+	250	250	350	240	640	340	22.0	M20
MVSG40-2P	440-480	300	900	2.26	0.90	20	4	18.0	300	+	365	365	500	280	860	395	27.0	M24

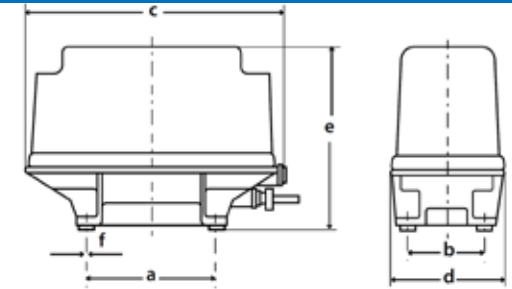
CONTACT US TODAY AT

E. SALES@NAVCO.US W. NAVCO.US

P. 832.467.3636

F. 832.467.3800

A. 11929 Brittmoore Park Dr.
Houston, TX 77041



60 Hz Models

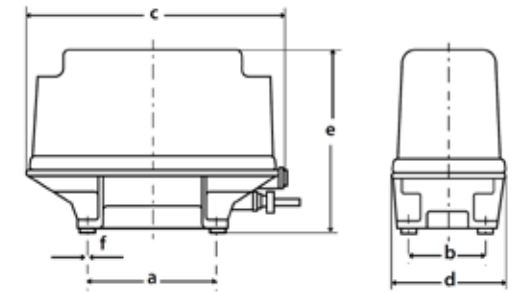
Model #	Mains Voltage	Working Weight Range (kg)		Vibration Amplitude (mm)		Transport Velocity (cm/s)		Rated Current (A)	Active Power (W)	PAL (+/-)	Weight (kg)	Dimensions (mm)						
		From	To	From	To	From	To					a	b	c	d	e	Øf	Screws
MV12/60-3	220-240	10	20	1.40	0.90	16	11	2.7	40	-	18	210	125	300	200	225	11.5	M10
MVB60-4	220-240	12	20	1.38	0.90	16	11	2.0	40	-	17	Sidewise Mounting		238	140	231		M10
MVC60-4	220-240	15	40	1.55	0.90	16	11	3.8	40	-	41	210	128	420	180	280	11.5	M10
	380-420	15	40	1.55	0.90	16	11	2.2	40	-	41	210	128	420	180	280	11.5	M10
	440-480	15	40	1.55	0.90	16	11	1.9	40	-	41	210	128	420	180	280	11.5	M10
MVC60-4.1	220-240	40	100	0.90	0.45	11	3	3.8	40	-	45	210	128	420	180	280	11.5	M10
	380-420	40	100	0.90	0.45	11	3	2.2	40	-	45	210	128	420	180	280	11.5	M10
	440-480	40	100	0.90	0.45	11	3	1.9	40	-	45	210	128	420	1480	280	11.5	M10
MVD60-4	220-240	35	150	1.55	0.55	16	4	6.8	50	-	60	210	128	15	220	335	11.5	M10
	380-420	35	150	1.55	0.55	16	4	4.1	50	-	60	201	128	150	220	335	11.5	M10
	440-480	35	150	1.55	0.55	16	4	4.0	50	-	60	210	128	150	220	335	11.5	M10
MVE60-4	220-240	70	350	1.25	0.50	16	3	11.4	100	-	98	300	190	185	255	425	18.0	M16
	380-420	70	350	1.25	0.50	16	3	6.8	100	-	98	300	190	185	255	425	18.0	M16
	440-480	70	350	1.25	0.50	16	3	5.8	100	-	98	300	190	185	255	425	18.0	M16

CONTACT US TODAY AT

E. SALES@NAVCO.US W. NAVCO.US
P. 832.467.3636 F. 832.467.3800

A. 11929 Brittmoore Park Dr.
Houston, TX 77041

60 Hz Models Cont.



Model #	Mains Voltage	Working Weight Range (kg)		Vibration Amplitude (mm)		Transport Velocity (cm/s)		Rated Current (A)	Active Power (W)	PAL (+/-)	Weight (kg)	Dimensions (mm)						
		From	To	From	To	From	To					a	b	c	d	e	Øf	Screws
MVES60-2	220-240	110	500	1.38	0.40	16	2	18.0	150	-	125	300	190	540	255	425	18.0	M16
	380-420	110	500	1.38	0.40	16	2	9.5	150	-	125	300	190	540	255	425	18.0	M16
	440-480	110	500	1.38	0.40	16	2	8.0	150	-	125	300	190	540	255	425	18.0	M16
MVES60-2P	220-240	110	500	1.57	0.47	16	3	18.0	150	+	125	300	190	540	255	425	18.0	M16
	380-420	110	500	1.57	0.47	16	3	9.5	150	+	125	300	190	540	255	425	18.0	M16
	440-480	110	500	1.57	0.47	16	3	8.0	150	+	125	300	190	540	255	425	18.0	M16
MVFS60-3	380-420	210	600	1.36	0.60	16	5	13.5	250	-	250	350	240	640	340	545	22.0	M20
	440-480	210	600	1.36	0.60	16	5	11.5	250	-	250	350	240	640	340	545	22.0	M20
MVFS60-3P	380-420	220	600	1.48	0.68	16	5	13.5	250	+	250	350	240	640	340	545	22.0	M20
	440-480	220	600	1.48	0.68	16	5	11.5	250	+	250	350	240	640	340	545	22.0	M20
MVGS60-1P	440-480	300	900	1.45	0.62	16	5	18.0	300	+	415	500	280	860	395	680	27.0	M24

+ PAL integrated, - PAL not integrated

CONTACT US TODAY AT

E. SALES@NAVCO.US W. NAVCO.US
P. 832.467.3636 F. 832.467.3800

A. 11929 Brittmoore Park Dr.
Houston, TX 77041