

Specialty Portable Vibrators

MP and ST model portable piston vibrators

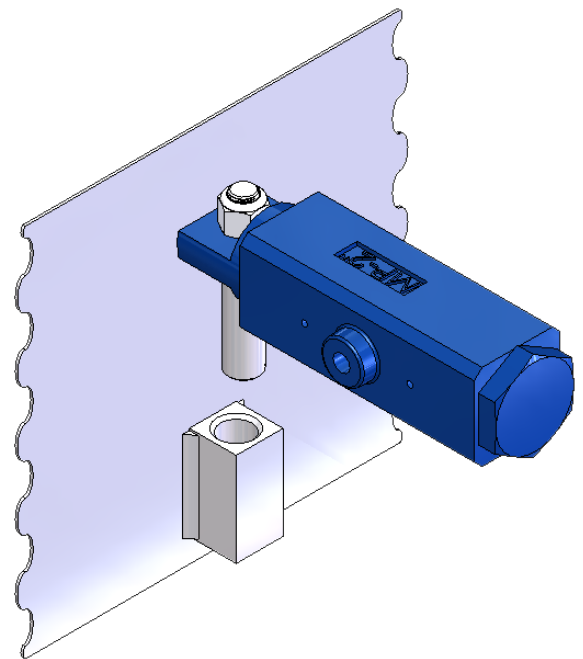
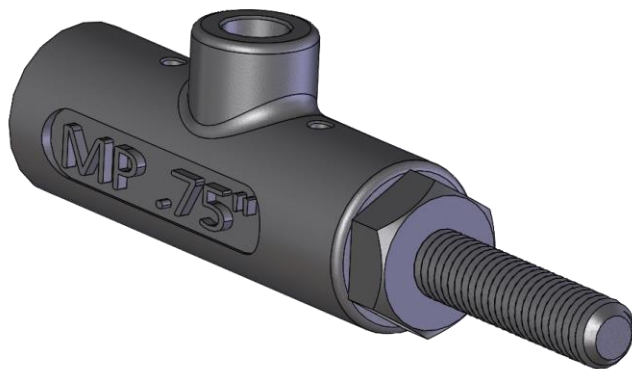
NAVCO's portable units are lightweight, high frequency, repeat-impacting vibrators. These vibrators provide high force output in conveniently transportable configurations. A high quality product is achieved through precision machining and durable construction materials. This quality ensures a long operating life for these versatile units. These vibrators have a wide variety of applications, including use on: matchplate and shell core machines, concrete forms, bins, hoppers, and chutes.

Pin Mounted Vibration

The pin mounted arrangement makes using a single vibrator in multiple locations effortless. Simply weld mounting blocks wherever vibration is occasionally needed and move the vibrator to the location that requires it.

Applications:

- Small hoppers, bins, or totes
- Sand molds
- Flow chutes



Stud Mounted Vibration

The ST model eliminates the need for bolts or adapter plates.

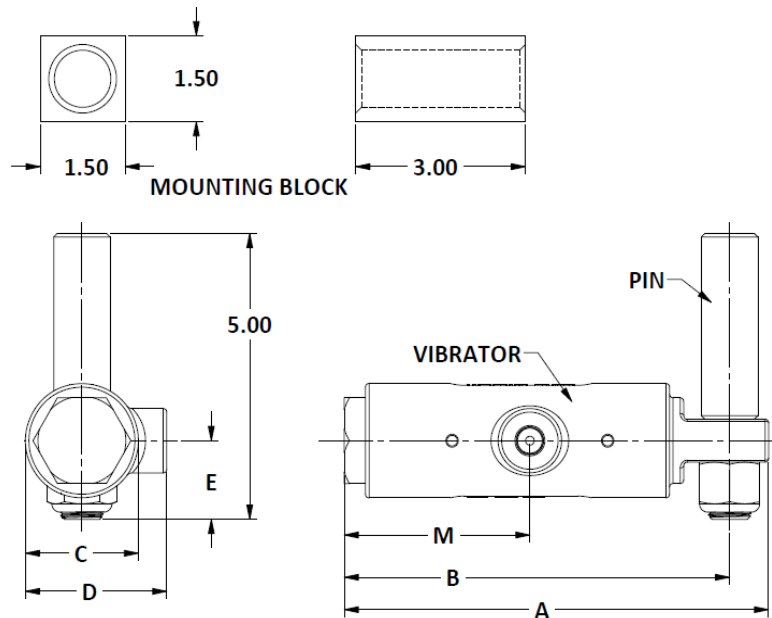
Applications:

- OEMs
- Product forms
- Foundries

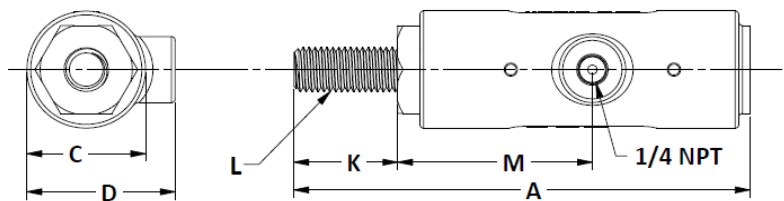
See reverse side for specifications and dimensions →

11929 Brittmoore Park Dr. ♦ Houston, Texas 77041 ♦ Ph: 832-467-3636 ♦ Fax: 832-467-3800
www.navco.us ♦ sales@navco.us

Specifications & Dimensions



Model	A	B	C	D	E	M	Frequency @ 50 PSI	Air Consumption @ 50 PSI
1.25"	7.50	6.82	2.00	2.40	1.28	3.00	5250 VPM	4.2 SCFM
2.00"	10.00	9.00	2.75	3.14	1.14	4.18	4750 VPM	8.3 SCFM



Model	A	C	D	K	L	M	Frequency @ 50 PSI	Air Consumption @ 50 PSI
0.75	6.00	1.25	1.69	2.00	1/2-13 NC	2.19	11400 VPM	3.0 SCFM
1.00	7.00	1.50	1.94	2.00	5/8-11 NC	2.33	7250 VPM	3.3 SCFM
1.25	8.88	2.00	2.44	3.25	3/4-10 NC	3.00	5250 VPM	4.2 SCFM

11929 Brittmoore Park Dr. ♦ Houston, Texas 77041 ♦ Ph: 832-467-3636 ♦ Fax: 832-467-3800
www.navco.us ♦ sales@navco.us